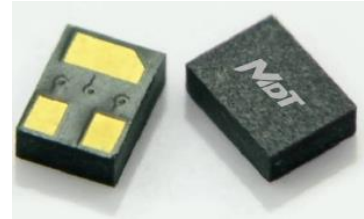


CYS1342 High Sensitive Omnipolar TMR Switch IC

CYS1342 is a digital omnipolar magnetic switch that integrates TMR and CMOS technology in order to provide a magnetically triggered digital switch with high sensitivity, high speed, and ultra-low power consumption. It is designed for use in applications that are both power-critical and performance-demanding. It contains a push-pull half-bridge TMR magnetic sensor and CMOS signal processing circuitry within the same package, including an on-chip TMR voltage generator for precise magnetic sensing, a TMR voltage amplifier and comparator with a Schmitt trigger to provide switching hysteresis for noise rejection, and CMOS push-pull output. An internal band gap regulator is used to provide a temperature compensated supply voltage for internal circuits, permitting a wide range of supply voltages. The CYS1342 draws only 1.5 μ A resulting in ultra-low power operation. It has fast response, accurate switching points, excellent thermal stability, and immunity to stray field interference. It is available in the LGA2x1.5x0.63 -3L package.



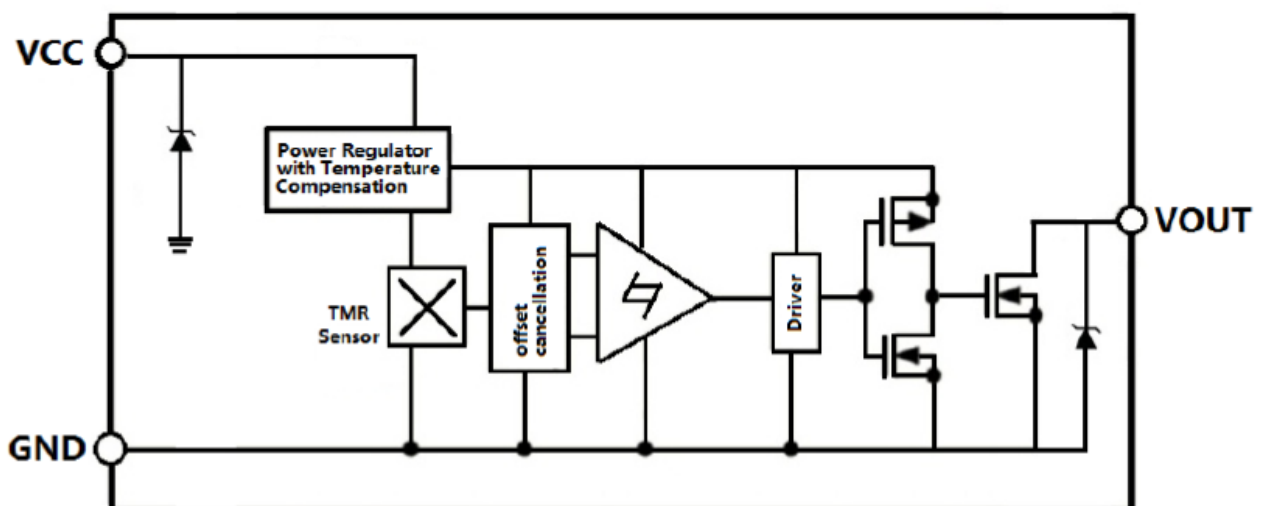
Features

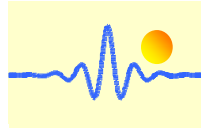
- Bipolar latching operation
- Low power consumption (<1.5 μ A)
- Z-axis sensing direction compatible with Hall Effect Switch ICs
- Low switch points for high sensitivity
- Excellent thermal stability

Typical Applications

- Water, gas and heat meters
- High Sensitive Non-contact Switch
- DC Brushless Motor
- DC Brushless Fan
- Position and speed sensing

Functional Block Diagram





Absolute Maximum Ratings

Parameter	Symbol	Limit	Unit
Supply Voltage	V_{CC}	7	V
Reverse Supply Voltage	V_{RCC}	0.3	V
Output Current	$I_{OUTSINK}$	20	mA
Magnetic Flux Density	B	2800	G
ESD level(HBM)	V_{ESD}	2	kV
Operating Ambient Temperature	T_A	-40 ~ 125	°C
Storage Temperature	T_{stg}	-50 ~ 150	°C

Electrical Characteristics ($V_{CC}=3.0V$, $T_A=25^\circ C$)

Parameter	Symbol	Conditions	Min	Typ.	Max	Unit
Supply Voltage	V_{CC}	Operating	1.5	3.0	5.5	V
Output Stress Voltage	V_{stress}				5.5	V
Output leak Current	I_{leak}	OUT=H, $V_{CC}=3V$, $V_{out}=3V$			1	μA
Output Resistance of Turn off	R_{off}	OUT=H		10		$M\Omega$
Output Low Voltage	VOL	OUT=L, $V_{CC}=3V$, $I_{sink}=10mA$	0		0.1	V
Output Resistance of Turn on	R_{on}	OUT=L			10	Ω
Supply Current	I_{CC}	Output Open		1.5		μA
Response Frequency	F			1000		KHz

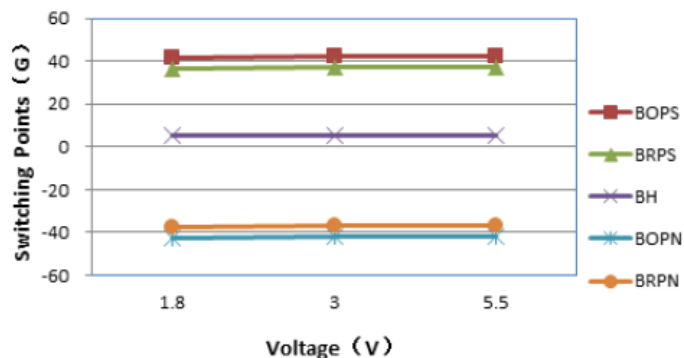
Note: a 1k Ω pull-up resistor is connected between V_{CC} and V_{OUT} , and a 100nF capacitor is connected between V_{CC} and GND during all tests in the above table.

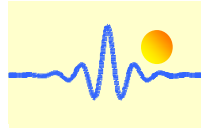
Magnetic Characteristics ($V_{CC} = 3.0V$, $T_A = 25^\circ C$)

Parameters	Symbol	Min	Typ.	Max	Unit
Operate Point	B_{OPS}		42		G
	B_{OPN}		-42		G
Release Point	B_{RPS}		37		G
	B_{RPN}		-37		G
Hysteresis	B_H		5		G

Voltage Characteristics

Voltage Performance ($T_A=25^\circ C$)

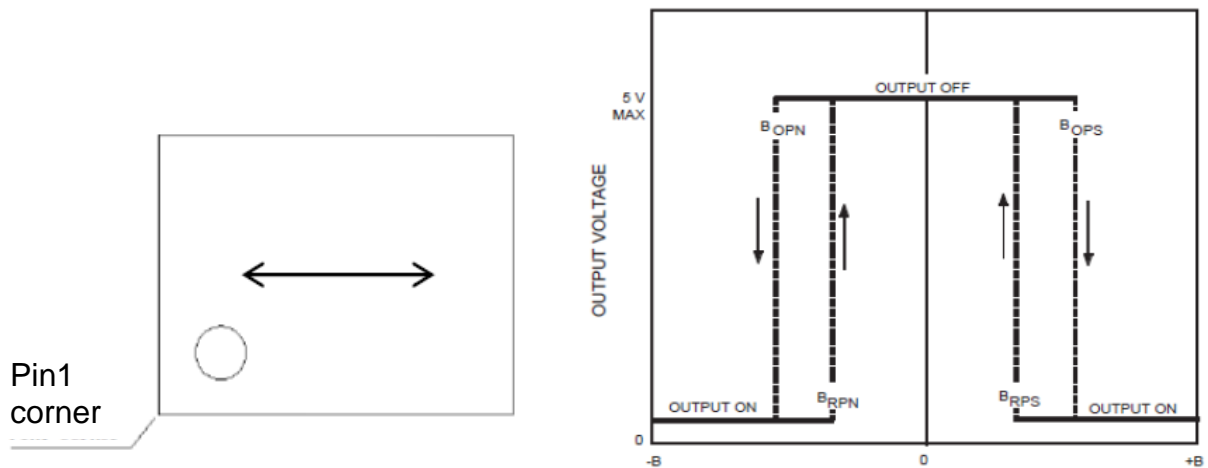




Output Behavior vs. Magnetic Pole

Parameter	Test Conditions	Output
South Pole	$B > B_{OPS}$	Low (On)
	$0 < B < B_{RPS}$	High (Off)
North Pole	$B < B_{OPN}$	Low (Off)
	$0 > B > B_{RPN}$	High (On)

Note: when power is turned on under zero magnetic field, the output is “High”.



Sensing direction of magnetic field

Magnetic Flux

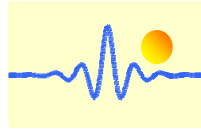
Pin Configuration



Top view

Bottom view

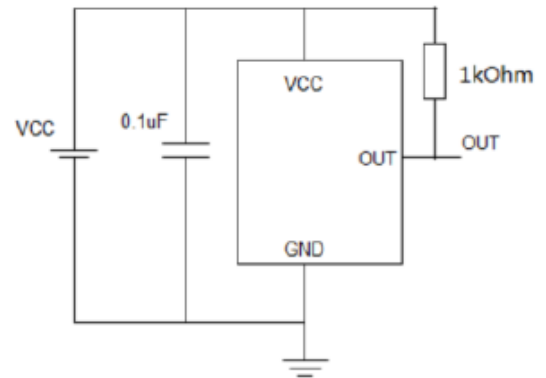
Pin Name	Pin No. LGA2x1.5-3L	Pin Function
VCC	3	Supply Voltage
GND	1	Ground
VOUT	2	Output



Application Information

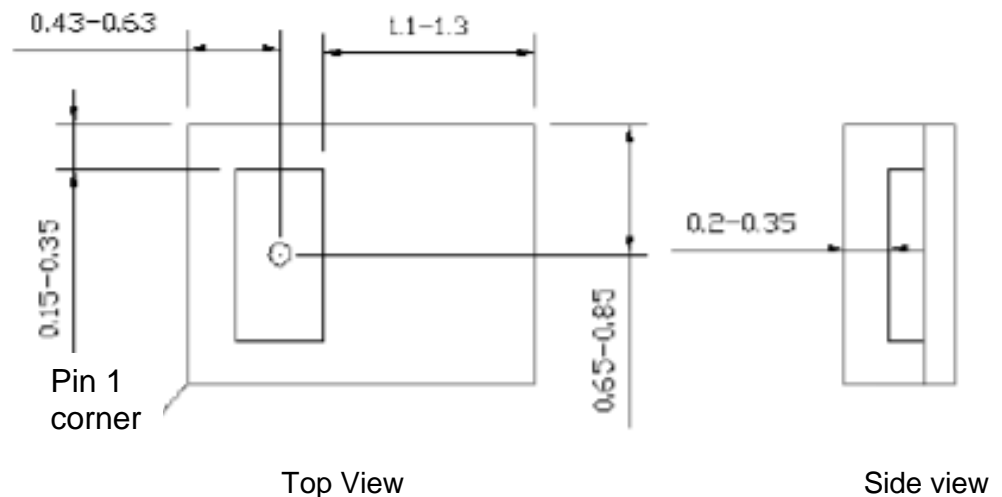
The output of the CYS1342 switches low (turns on) when a magnetic field to the sensing axis exceeds the operate point threshold, B_{OP} . When the magnetic field is reduced below the release point, B_{RP} , the device output switches high (turns off). The difference between the B_{OP} and B_{RP} is the hysteresis B_H of the device.

It is strongly recommended that an external bypass capacitor be connected in close proximity to the device between the supply and ground to reduce noise. The typical value of the external capacitor is $0.1\mu F$. $1k\Omega$ is a pull-up resistor.



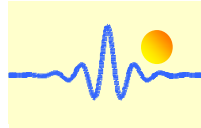
TMR Sensor Position (unit: mm)

LGA3L



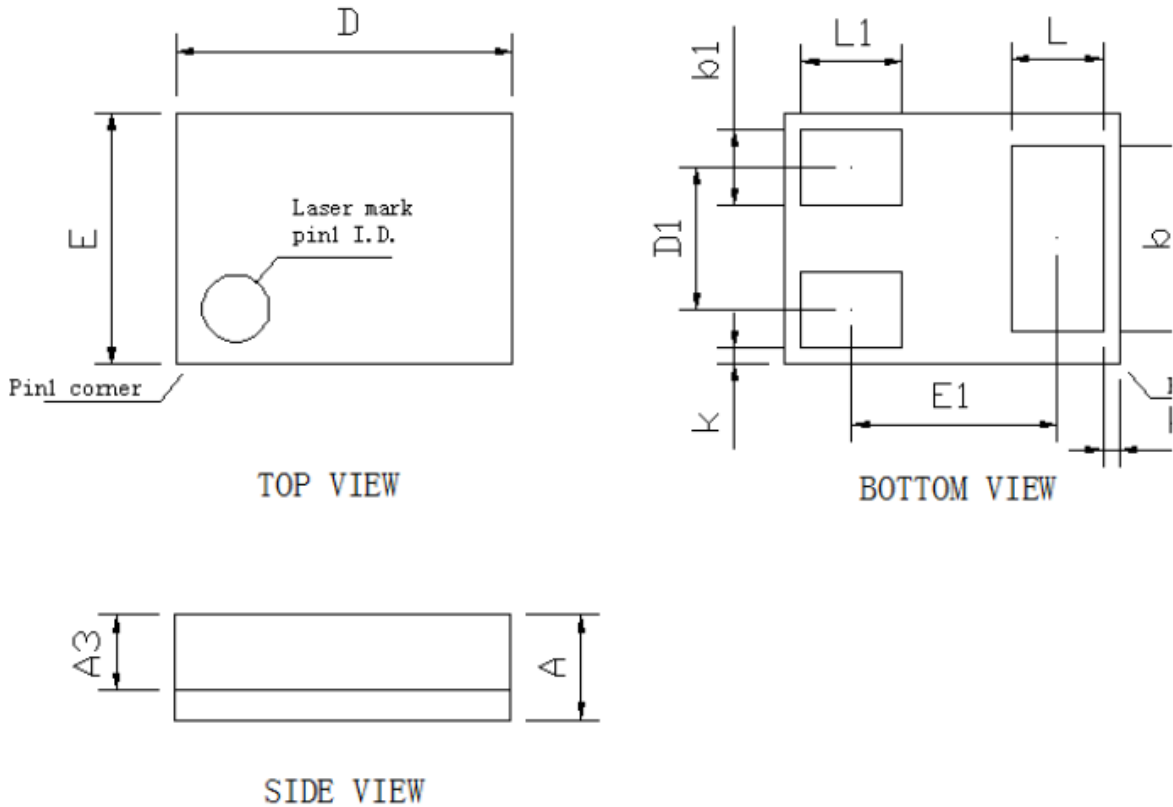
Part number

Part number	Response Frequency	Operating Temperature	Package
CYS1342G	1000Hz	-40°C ~ 125°C	LGA3L



Package Information

LGA3L Package Drawing



Symbol	Dimensions in mm			Dimensions in inches		
	min	nom	max	min	nom	max
A	-	0.63	0.70	-	0.025	0.028
A3	0.45 BSC			0.018 REF		
D	1.90	2.00	2.10	0.075	0.079	0.083
D1	0.85 BSC			0.033 REF		
E	1.40	1.50	1.60	0.055	0.059	0.063
E1	1.23 BSC			0.048 REF		
L	0.55 BSC			0.022 REF		
L1	0.60 BSC			0.024 REF		
b	1.10 BSC			0.043 REF		
b1	0.45 BSC			0.018 REF		
h	0.10 REF			0.004 REF		
k	0.10 REF			0.004 REF		