

CYS1155 High Sensitive Unipolar TMR Switch IC

CYS1155 is a digital unipolar magnetic switch that integrates TMR and CMOS technology in order to provide a magnetically triggered digital switch with high sensitivity, high speed, and ultra-low power consumption. It is designed for applications that are both power-critical and performance-demanding. It contains a push-pull full-bridge TMR magnetic sensor and CMOS signal processing circuitry within the same package, including an on-chip TMR voltage generator for precise magnetic sensing, a TMR voltage amplifier and comparator plus a Schmitt trigger to provide switching hysteresis for noise rejection, and CMOS push-pull output. An internal band gap regulator is used to provide a temperature compensated supply voltage for internal circuits, permitting a wide range of supply voltages up to 40V. The CYS1155 draws only 0.6mA resulting in low power operation. It has fast response, accurate switching points, excellent thermal stability, and immunity to stray field interference. It is available in the SOT23-3 package or the TO-92S package.



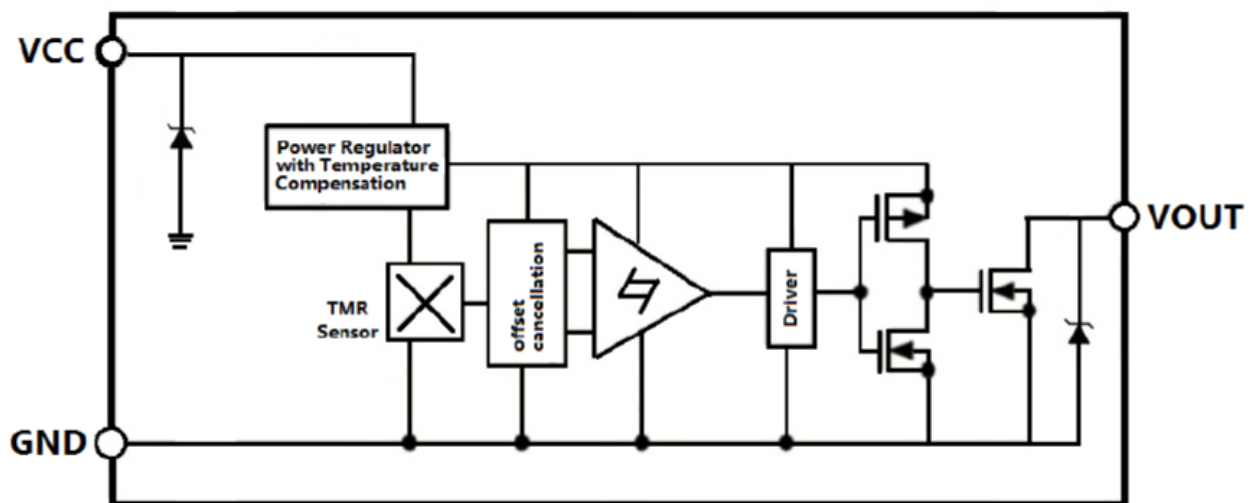
Features

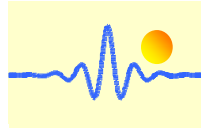
- Unipolar latching operation
- Low power consumption (<0.6mA)
- Z-axis sensing direction compatible with Hall Effect Switch ICs
- Low switch points for high sensitivity
- Excellent thermal stability

Typical Applications

- Water, gas and heat meters
- High Sensitive Non-contact Switch
- DC Brushless Motor
- DC Brushless Fan
- Position and speed sensing

Functional Block Diagram





Absolute Maximum Ratings

Parameter	Symbol	Limit	Unit
Supply Voltage	V_{CC}	40	V
Reverse Supply Voltage	V_{RCC}	30	V
Output Current	$I_{OUTSINK}$	25	mA
Magnetic Flux Density	B	4000	G
ESD level(HBM)	V_{ESD}	2	kV
Operating Ambient Temperature	T_A	-40 ~ 125	°C
Storage Temperature	T_{stg}	-50 ~ 150	°C

Electrical Characteristics ($V_{CC}=24V$, $T_A=25^\circ C$)

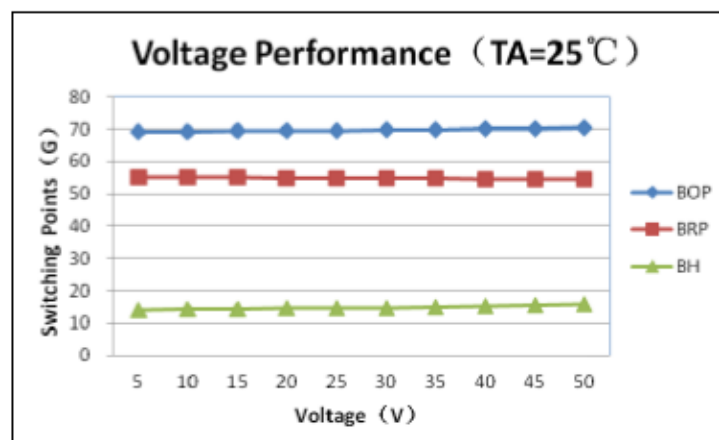
Parameter	Symbol	Conditions	Min	Typ.	Max	Unit
Supply Voltage	V_{CC}	Operating	3	24	40	V
Output Stress Voltage	V_{stress}				40	V
Output leak Current	I_{leak}	OUT=H, $V_{CC}=24V$, $V_{out}=24V$		26		μA
Output Resistance of Turn off	R_{off}	OUT=H		10		$M\Omega$
Output Low Voltage	VOL	OUT=L, $V_{CC}=24V$, $I_{sink}=25mA$			0.3	V
Output Resistance of Turn on	R_{on}	OUT=L			10	Ω
Supply Current	I_{CC}	Output Open	0.4	0.5	0.6	mA
Response Frequency	F			1	100	KHz

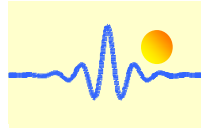
Magnetic Characteristics ($V_{CC} = 24V$, $T_A = 25^\circ C$)

Parameters	Symbol	Min	Typ.	Max	Unit
Operate Point	B_{OP}		70		G
Release Point	B_{RP}		55		G
Hysteresis	B_H		15		G

Note: a 1k Ω pull-up resistor is connected between V_{CC} and V_{OUT} , and a 100nF capacitor is connected between V_{CC} and GND during all tests in the above table.

Voltage Characteristics

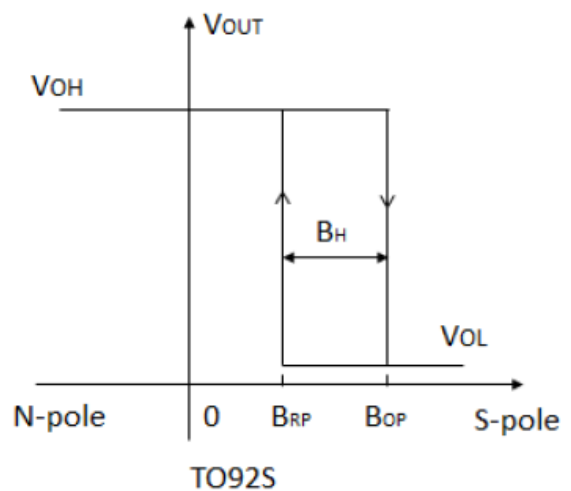
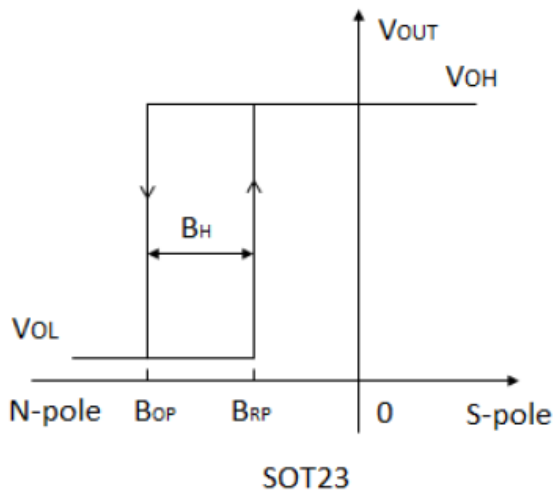




Output Behavior vs. Magnetic Pole (Sensing direction: Z-Axis)

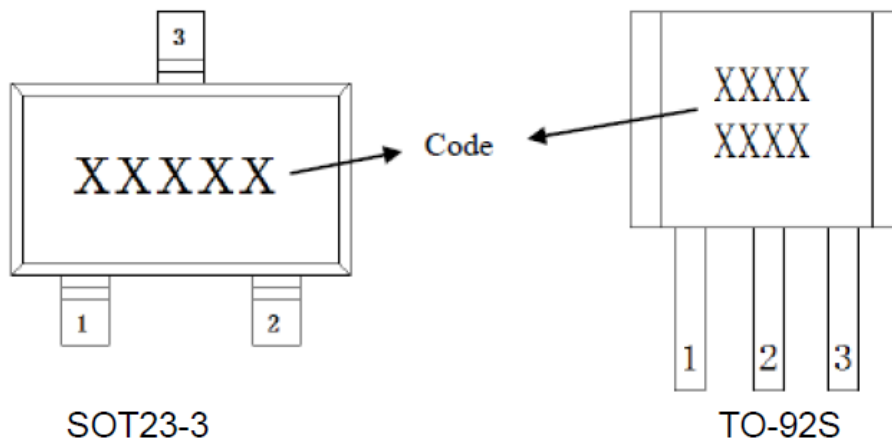
Parameter	Test Conditions	Output
South Pole applicable to TO92S	$B > B_{OP}$	Low (On)
	$B < B_{OP}$	High (Off)
North Pole applicable to SOT23	$B > B_{OP}$	Low (On)
	$B < B_{OP}$	High (Off)

Note: when power is turned on under zero magnetic field, the output is “High”.

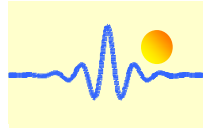


Magnetic Flux

Pin Configuration



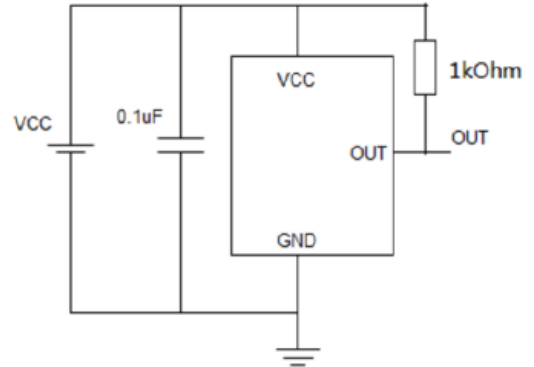
Pin Name	Pin No.		Pin Function
	TO-92S	SOT23-3	
VCC	1	1	Supply Voltage
GND	2	3	Ground
VOUT	3	2	Output



Application Information

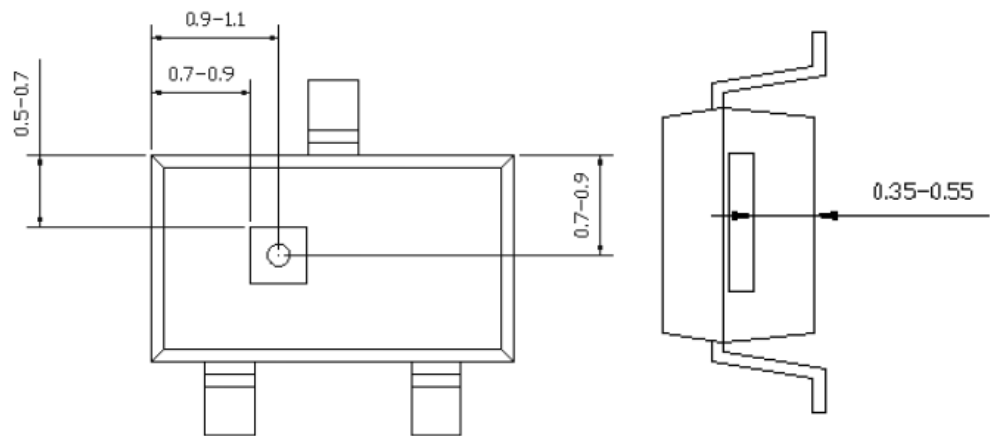
The output of the CYS1155 switches low (turns on) when a magnetic field to the sensing axis exceeds the operate point threshold, B_{OP} . When the magnetic field is reduced below the release point, B_{RP} , the device output switches high (turns off). The difference between the B_{OP} and B_{RP} is the hysteresis B_H of the device.

It is strongly recommended that an external bypass capacitor be connected in close proximity to the device between the supply and ground pins to reduce noise. The recommended value for the external bypass capacitor is $0.1\mu F$. $1k\Omega$ is a pull-up resistor.

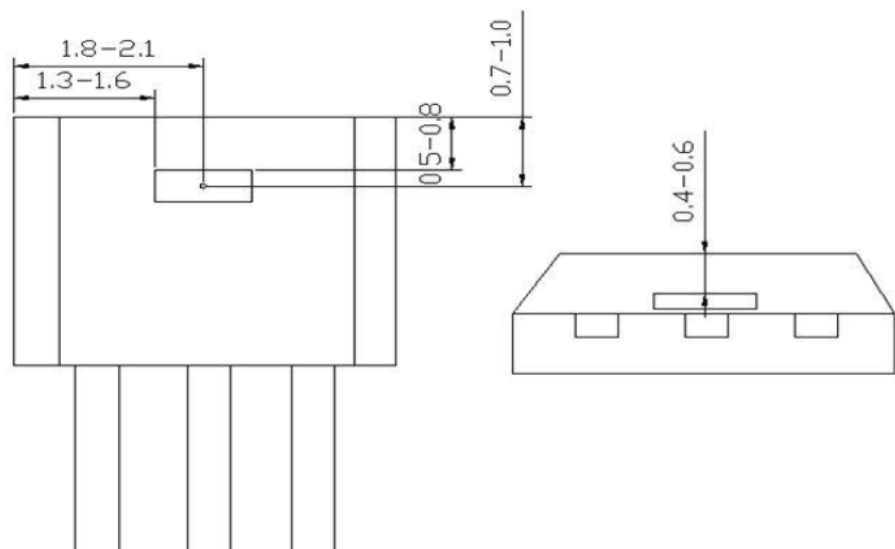


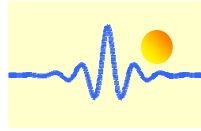
TMR Sensor Position (unit: mm)

SOT23-3



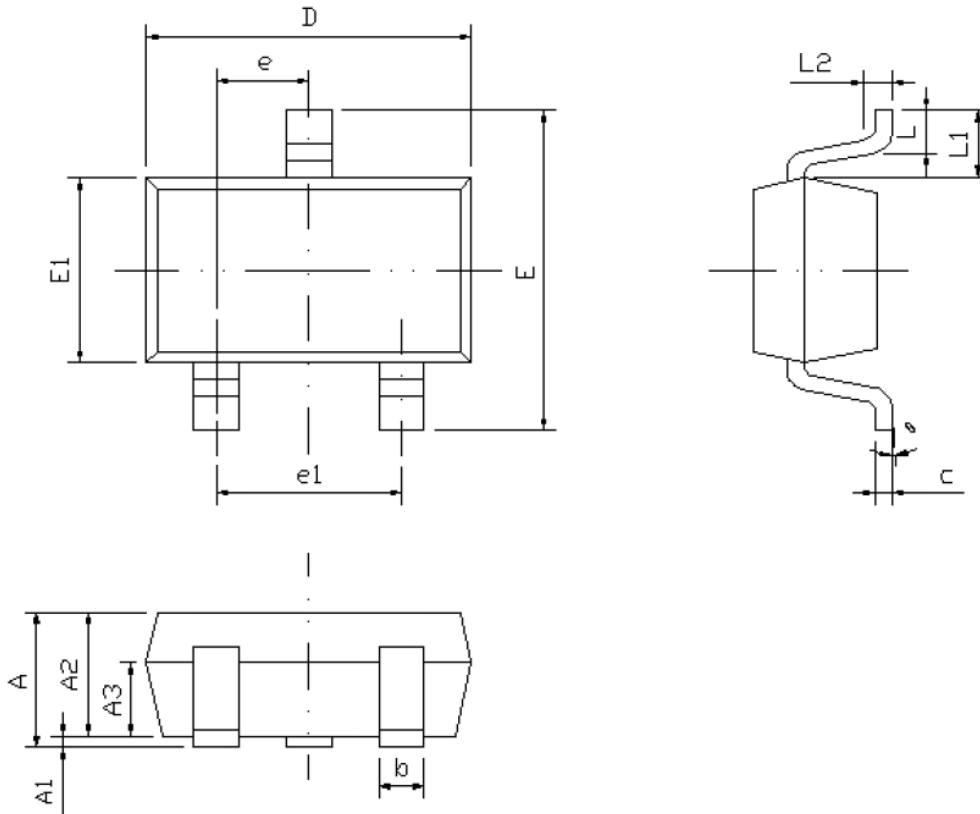
TO-92S



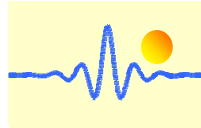


Package Information

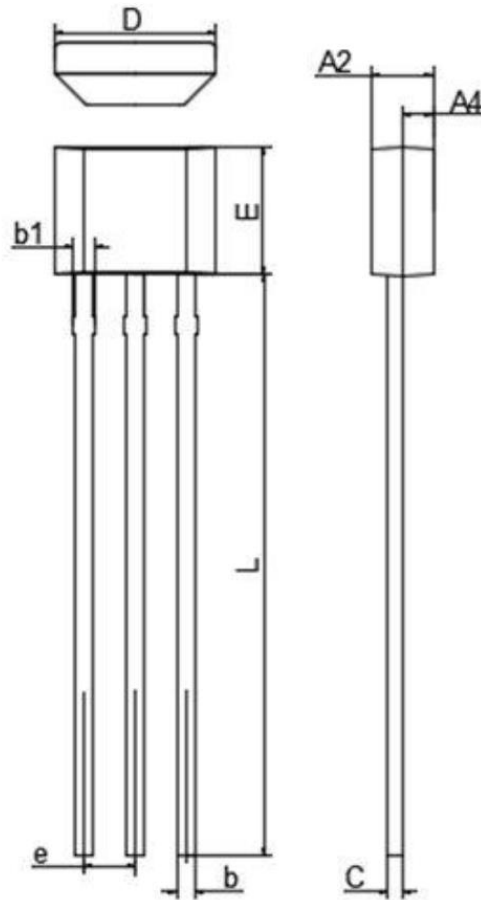
SOT23-3 Package Drawing



Symbol	Dimensions in mm			Dimensions in inches		
	min	nom	max	min	nom	max
A	-	-	1.45	-	-	0.057
A1	0.00	-	0.15	0.000	-	0.006
A2	0.90	1.10	1.30	0.035	0.043	0.051
A3	0.60	0.65	0.70	0.024	0.026	0.028
b	0.39	-	0.49	0.015	-	0.019
c	0.12	-	0.19	0.005	-	0.007
D	2.85	2.95	3.05	0.112	0.116	0.120
E	2.60	2.80	3.00	0.102	0.110	0.118
E1	1.55	1.65	1.75	0.061	0.065	0.069
e	0.85	0.95	1.05	0.033	0.037	0.041
e1	1.80	1.90	2.00	0.071	0.075	0.079
L	0.35	0.45	0.60	0.014	0.018	0.024
L1	0.59REF			0.023REF		
L2	0.25BSC			0.010BSC		
θ	0°	-	8°	0°	-	8°



TO-92S Package Drawing



Symbol	Dimensions in mm			Dimensions in inches		
	min	nom	max	min	nom	max
A2	1.40	1.50	1.60	0.055	0.059	0.063
A4	0.75 TYP			0.030 TYP		
b	0.34	0.39	0.42	0.013	0.015	0.017
b1	0.40	0.46	0.50	0.016	0.018	0.020
C	0.37	0.40	0.42	0.015	0.016	0.017
D	3.90	4.10	4.20	0.154	0.161	0.165
E	2.90	3.05	3.30	0.114	0.120	0.130
e	1.27 TYP			0.050 TYP		
L	14.0	14.5	15.0	0.551	0.571	0.590

Part number

Part number	Response Frequency	Operating Temperature	Package
CYS1155S	1000Hz	-40°C ~ 125°C	SOT23-3
CYS1155T	1000Hz	-40°C ~ 125°C	TO-92S